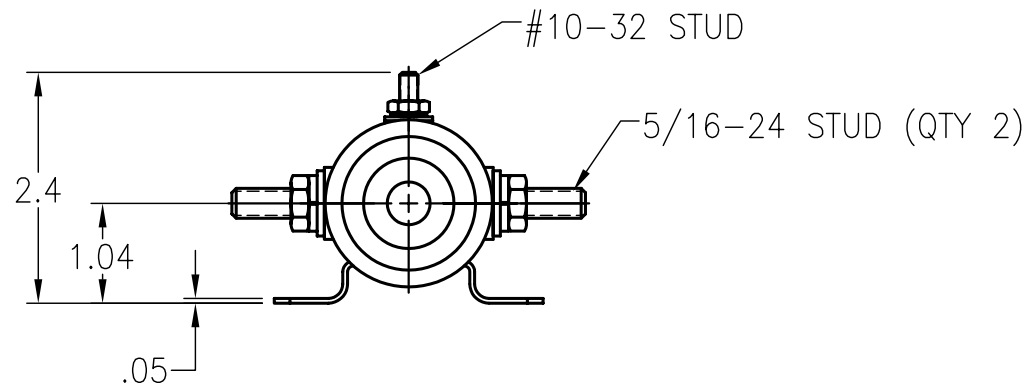
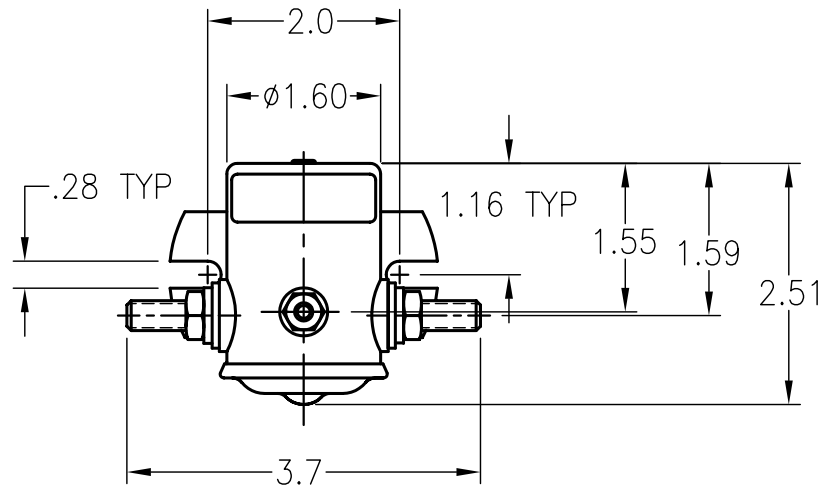



NOTE: BULK HARDWARE KITS ARE AVAILABLE



MATERIAL						 MOTION TECHNOLOGIES		
FINISH								
UNLESS OTHERWISE SPECIFIED						DRAWN JMG		
.XXX +/- .005 .XX +/- .01 ANG. +/- 1°						SCALE 1:2		DWG. NO.
BREAK ALL EDGES .005-.015						APPR. DAH		DATE 11/8/02
FILLETS .010-.020 RAD.						DATE 11/8/02		E08359

A	RELEASE	JMG	4046	11/8/02	DAH
REV.	DESCRIPTION	BY	ECN	DATE	APP.