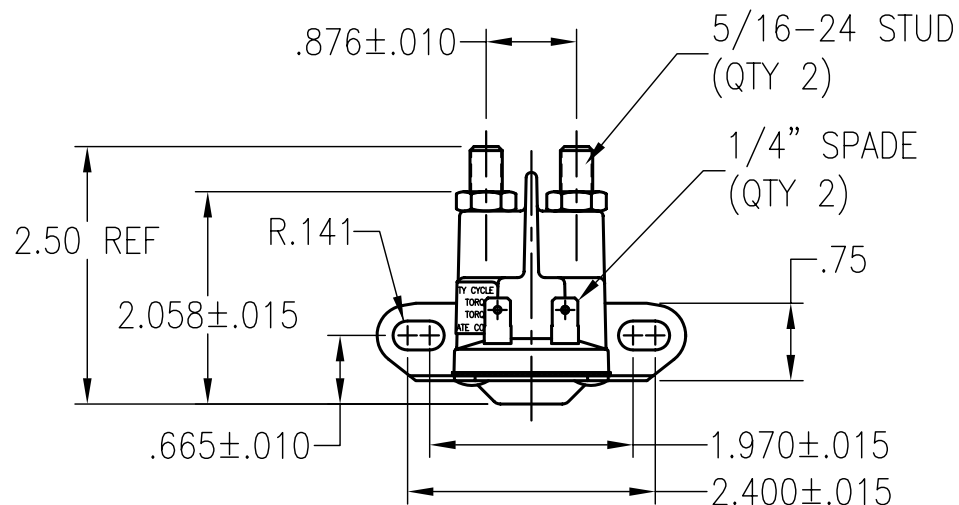
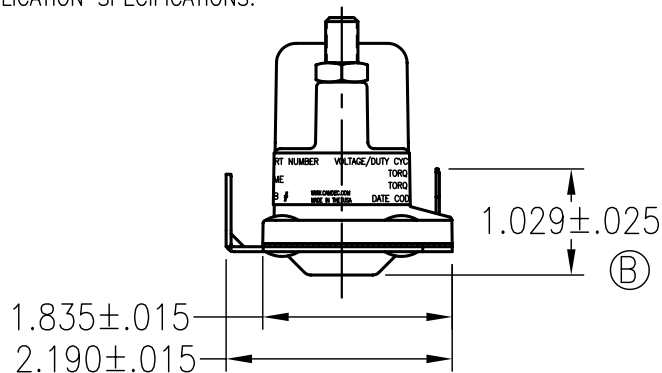
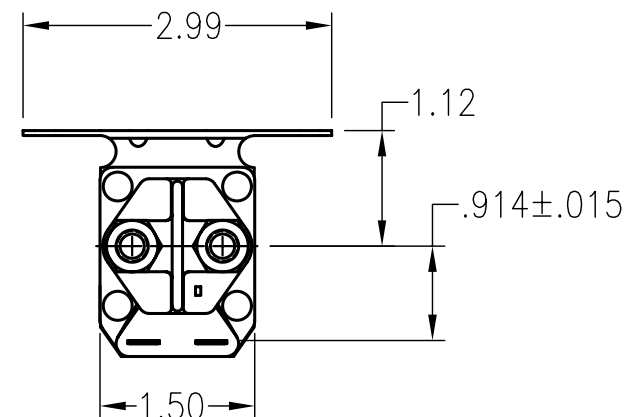


COIL VOLTAGE NOMINAL VDC	12
MAXIMUM SUSTAINED DUTY CYCLE <sup>1</sup>	15%
MAXIMUM SUSTAINED ON TIME <sup>1</sup>	30 SECONDS
CONTACT CURRENT CARRYING CAPABILITY, AMPS AT MAXIMUM DUTY CYCLE	200
CONTACT PEAK INRUSH CURRENT CAPABILITY, AMPS (INDUCTIVE LOAD) <sup>2</sup>	600
PULL IN VOLTAGE VOLTS @ 25° C <sup>3</sup>	5.2
HOLD VOLTAGE VOLTS @ 25° C <sup>3</sup>	2.4
NOMINAL COIL RESISTANCE OHMS AT 25° C	2.5
CONTACT MATERIAL TYPE	COPPER
STANDARD OPERATING TEMP RANGE <sup>3 and 4</sup>	-30 TO 140° F

- NOMINAL COIL VOLTAGE APPLIED STARTING FROM 25° C SOLENOID TEMPERATURE.
- RISETIME ≤ 3 MILLISECONDS TO 80% OF PEAK INRUSH WITH LINEAR DECAY TO RUN (CARRY) CURRENT IN ≤ .1 SECOND (TYPICAL START MOTOR).
- VOLTAGES LISTED ARE MINIMUM REQUIRED AT 25° C. MINIMUM VOLTAGES REQUIREMENTS WILL INCREASE WITH COIL TEMPERATURE.
- OPERATION OUTSIDE OF SPECIFIED RANGE MAY BE ALLOWED WITH APPROPRIATE DERATING—CONSULT FACTORY WITH DETAILS APPLICATION SPECIFICATIONS.

NOTE: BULK HARDWARE KITS AVAILABLE



REV.	DESCRIPTION	BY	ECN	DATE	APP.
B	CHANGED TOLERANCE TO +/- .025, WAS +/- .015	CAG	4767	10/5/06	DAH
A	RELEASE	JMG	4028	10/11/02	DAH

MATERIAL	
FINISH	
UNLESS OTHERWISE SPECIFIED	
.XXX +/- .005	.XX +/- .01
BREAK ALL EDGES .005-.015	ANG. +/- 1°
FILLETS .010-.020 RAD.	125/ FINISH

**Trombetta+**  
MOTION TECHNOLOGIES®

764 L BRACKET CONTACTOR  
DIMENSIONAL ASSEMBLY

DRAWN JMG	SCALE 1:2	DWG. NO.
APPR. DAH	DATE 10/11/02	E08288